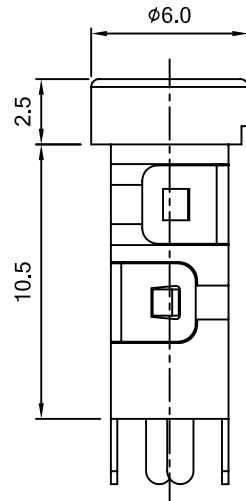
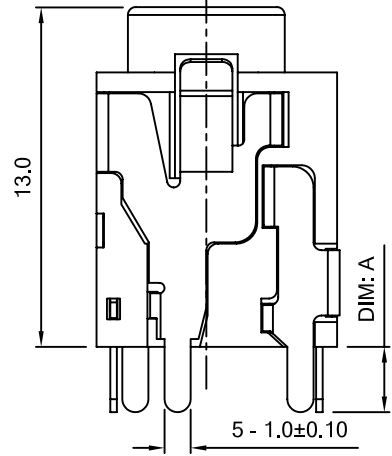
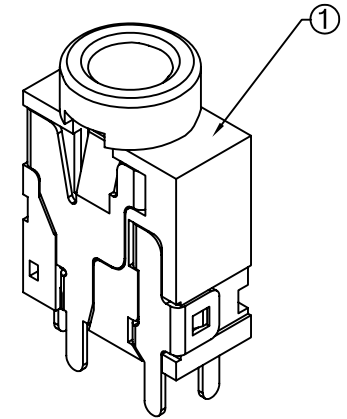
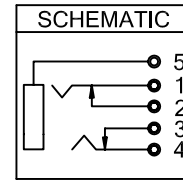


ORDER INFORMATION

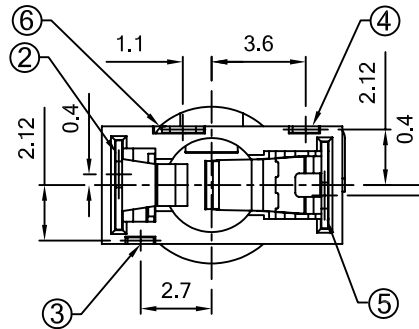
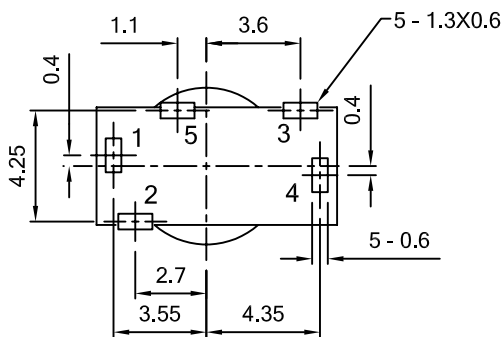
AJ3.5-051-X - X  
 DIM: A  
 1 = 2.5  
 2 = 3.1

COLOR OPTION:  
 P=PINK #701C  
 G=LIME #577C  
 B=BLUE #284C  
 K=BLACK  
 O=ORANGE #157C  
 C=COOL GRAY #5C



NOTES:

1. RATINGS
  - a. VOLTAGE RATING: 16 V DC
  - b. CURRENT RATING: 0.3 AMPERE
  - c. OPERATING TEMPERATURE: -25°C ~ +85°C
2. ELECTRICAL
  - a. CONTACT RESISTANCE: PLUG TO CONTACT 50mΩ MAX  
CONTACT TO SHUNT 30mΩ MAX
  - b. INSULATION RESISTANCE: 100 M OHMS MIN
  - c. DIELECTRIC WITHSTANDING VOLTAGE: 500 V AC/RMS
3. RESISTANCE TO SOLDERING HEAT: 260°C± 5°C FOR 10 SECONDS
4. RoHS 6 / 6 COMPLIANT



RECOMMENDED PCB LAYOUT  
 <BOTTOM VIEW>

NOTE: TOLERANCE FOR PCB LAYOUT IS = ±0.05

ITEM

ITEM	NAME	MATERIAL	Q'TY	FINISH
6	GROUND CONTACT	PHOSPHOR BRONZE	1	TIN 80u" MIN OVER Ni 30u" MIN
5	TIP CONTACT	Ti-Cu	1	TIN 80u" MIN OVER Ni 30u" MIN
4	TIP SHUNT	BRASS	1	TIN 80u" MIN OVER Ni 30u" MIN
3	RING SHUNT	BRASS	1	TIN 80u" MIN OVER Ni 30u" MIN
2	RING CONTACT	PHOSPHOR BRONZE	1	TIN 80u" MIN OVER Ni 30u" MIN
1	HOUSING	PBT, UL94V-0	1	



TITLE: ø3.5 EARPHONE JACK PLASTIC BUSHING

PART NO. AJ3.5-051-X-X

DWG NO. GT14-300147

REV	CORRECTED BOM ADDED NOTES	FOX	DATE	TOLERANCE		APPD:	MAT' L:	CHKD:	FINISH:	Q' TY:
				LINEAR	ANGLES					
			6/28/11'	. X ± 0.30	. X° ± 3°					
	ISSUED	JANE	06/28/06'	. XX ± 0.20	. XX° ±					
	ECN NO.	NAME	DATE	. XXX ±	. XXX° ±					

UNITS	SCALE	SHEET	REV
MM	NONE	1 OF 1	B