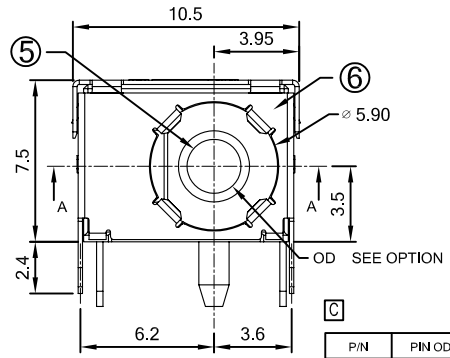
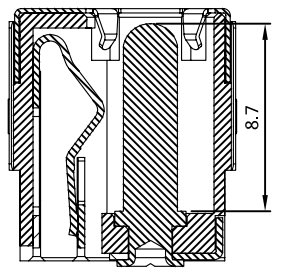
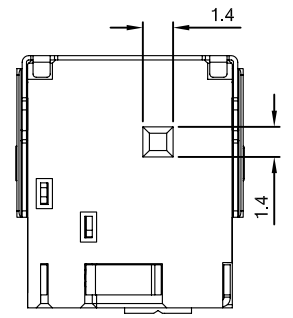
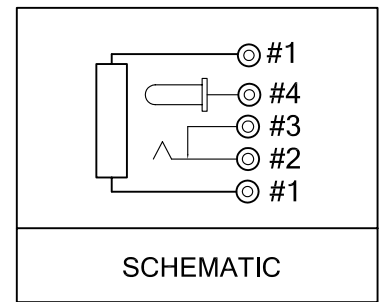
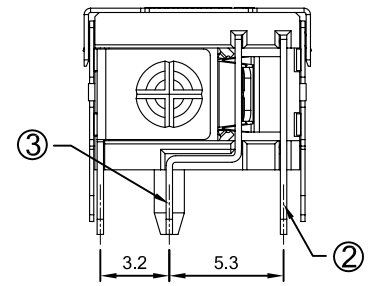
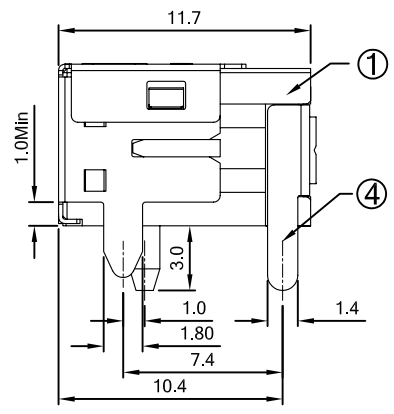


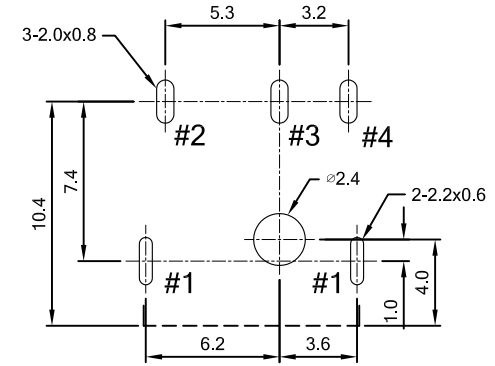
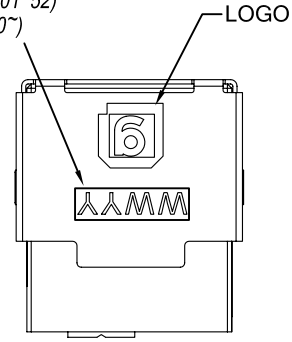
REV.	ECN. NO.	DESCRIPTION	ENG	DATE
A		ISSUED	Terry	6/21/10'
B		ADD DIM. AND RECOMMENDED PLUG	AXL	8/31/10'
C		ADD TOLERANCE OF PIN DIAMETER	TERRY	1/21/11'



PIN	PIN OD
DCJR-17	OD2.0±0.08
DCJR-18	OD2.0±0.08
DCJR-19	OD2.5 ^{+0.00} _{-0.15}
DCJR-20	OD2.5 ^{+0.00} _{-0.15}



Date Code
 WW:WEEK(01~52)
 YY:YEAR(10~)



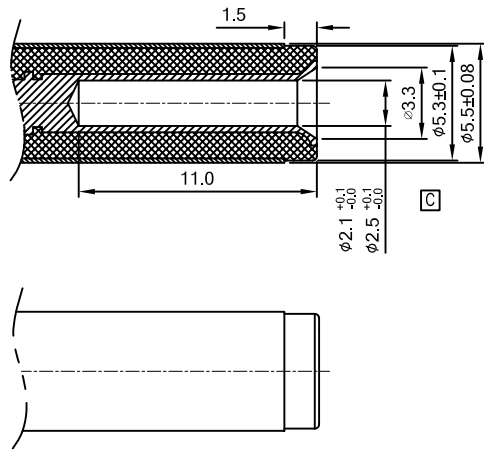
Recommend PCB Layout
 Jack Top View
 Tolerance: ±0.05mm
 Recommend PCB Thickness 1.6mm

ITEM	NAME	QTY	MATERIAL	PLATING & COLOR	NOTE
6	SHIELD	1	SUS, T=0.2mm	Ni PLATING (50u" MIN.)	
5	PIN	1	BRASS	Ni PLATING (30u" MIN.)	
4	TERMINAL #4	1	BRASS, T=0.3mm	Tin 80u" MIN. OVER Ni 30u" MIN.	
3	TERMINAL #3	1	BRASS, T=0.3mm	SEE ORDER INFORMATION	
2	TERMINAL #2	1	PHOSPHOR BRONZE T=0.3mm	SEE ORDER INFORMATION	
1	HOUSING	1	PA9T UL94V-0	BLACK	

GENERAL TOLERANCE		ANGLE TOLERANCE		DRAWN		DATE			
X.±0.5	X°±2°	Terry	6/21/10'	TITLE.		DC POWER JACK		PART NUMBER.	
.X±0.38	.X°±1°	Terry	6/21/10'	CHECKED		DATE		DRAWING NO.	
.XX±0.25	.XX°±	Daniel	6/21/10'	APPROVED		DATE		GTI10-25104	
.XXX±	.XXX°±	Allen	6/21/10'	SCALE		UNIT		SIZE	
MATERIAL		SEE BOM		SHEET 1 OF 2		UNIT		REV.	
FINISH		SEE NOTES		UNIT		UNIT		REV.	

SPECIFICATION

1. VOLTAGE RATING: 12V & 5A
2. CONTACT RESISTANCE: 30 mΩ(MAX.)
3. INSULATION RESISTANCE: 100MΩ MIN. @ DC250V
4. OPERATION TEMPERATURE: -25°C~70°C
5. WITHSTAND VOLTAGE: 500VAC
6. INSERTION FORCE: 3.0kgf (MAX.)
7. EXTRACTION FORCE: 0.3kgf (MIN.)
8. LIFE TESTING: 5,000 CYCLES
9. SOLDERING PROCESS: PARTS WILL WITHSTAND 260°C/5Sec.
10. EIAJ RC-5320A COMPLIANT.
11. RoHS 6/6 COMPLIANT.



[B] RECOMMENDED PLUG

PART. NUMBER

DCJR- XX 01-F K X 3 T 01

① ② ③ ④ ⑤ ⑥ ⑦

1. CONNECTOR:

DCJR: DC POWER JACK

2. TYPE

- 17: OD2.0mm, W/O DATE CODE
- 18: OD2.0mm, WITH DATE CODE
- 19: OD2.5mm, W/O DATE CODE
- 20: OD2.5mm, WITH DATE CODE

3. POSITIONS

01: 01 POSITION

4. INSULATOR MATERIAL

F: NYLON

5. INSULATOR COLOR

K: BLACK

6. CONTACT PLATING

- 2: 2#&3# TERMINAL PLATING TIN 80U" MIN. OVER NICKEL 30U" MIN.
- C: 2#&3# TERMINAL PLATING AG 30U" MIN. OVER NICKEL 30U" MIN.

7. SHIELD PLATING

3: NICKEL PLATING

GENERAL TOLERANCE X.±0.5 .X±0.38 .XX±0.25 .XXX±		ANGLE TOLERANCE X°±2° .X°±1° .XX°± .XXX°±		DRAWN Terry	DATE 6/21/10'	
MATERIAL SEE BOM		FINISH SEE NOTES		DESIGN Terry	DATE 6/21/10'	
SCALE N/A		UNIT mm		CHECKED Daniel	DATE 6/21/10'	PART NUMBER DCJR-XX01-FKX3T01
SHEET 2 OF 2				APPROVED Allen	DATE 6/21/10'	DRAWING NO. GTI10-25104
						SIZE A4
						REV. C