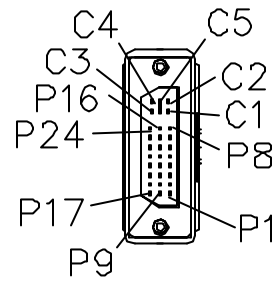
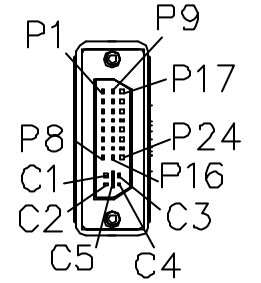
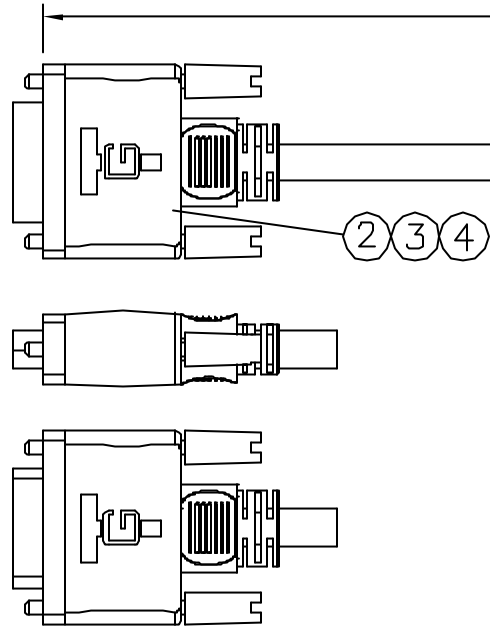


X (See Notes 4 for Specifying Length)



J1



J2

WIRE LIST(DVI)

J1	COLOR	J2	J1	COLOR	J2
1	WHITE	1	22	DRAIN	22
2	RED	2	23	GRAY	23
3	DRAIN*2	3	24	BLACK	24
4	WHITE	4	7	ORANGE	7
5	BROWN	5	6	YELLOW	6
9	ORANGE	9	15	WHITE	15
10	PINK	10	8	BROWN	8
11	DRAIN*2	11	14	RED	14
12	GREEN	12	16	GREEN	16
13	WHITE	13	C1	RED COAX	C1
17	BLUE	17	C5	RED COAX SPIRAL	C5
18	WHITE	18	C2	GREEN COAX	C2
19	DRAIN*2	19	C5	GREEN COAX SPIRAL	C5
20	L-BLUE	20	C3	BLUE COAX	C3
21	VIOLET	21	C5	BLUE COAX SPIRAL	C5
			C4	BLACK	C4
			SHELL	BRAID	SHELL

NOTES:

- CABLE: {[30AWG(7/0.10)*1C+SP(36/0.12)]*3COAX+[30AWG(7/0.10)x1P+DW(7/0.10)+AL/MY+MY]x7C+30AWG(7/0.10)x1P+30AWG(7/0.10)x5C+AL/MY+MY+BRAID(24/8/0.12)}TIN
 INSULATION(3COAX):FPE,OD=φ1.3±0.1mm, COLOR:NATURE
 COAXIAL OD=φ2.10±0.10mm. COAXIAL COLOR: RED ,GREEN,BLUE.
 INSULATION(7P):FPE,OD=φ0.85±0.05mm, COLOR: WHITE&RED,WHITE&BROWN,
 ORANGE&PINK,GREEN&WHITE,LIGHT-BLUE&VIOLET,GRAY&BLACK,BLUE&WHITE.
 INSULATION(1P): HD-PE,OD=φ0.55±0.05mm, COLOR:ORANGE&YELLOW.
 INSULATION(5C): HD-PE,OD=φ0.55±0.05mm, COLOR: WHITE,BROWN,RED,GREEN,BLACK.
 JACKET: PVC OD=φ9.5±0.3mm, COLOR:GRAY UL 20276
 MARKING: E164535 "D" RJ AWM 20276 80°C 30V VW-1 HAURTIAN
- TEST: A)100% TEST OPEN,SHORT AND MISWIRE
 B)CONTACT RESISTANCE: 5 OHMS.
 C)INSULATION RESISTANCE: 20M OHMS.
 D)HI-POT VOLTAGE: 300V DC 1SEC.
- RoHS COMPLIANT.
- Specify Length as Suffix on Part Number in mm.
 For Example:
 DVI-10260-1800 = 1800mm Long DVI Cable.

4	THUMB SCREW	#4-40 UNC COLOR:PMS 3015
3	DVI OVER-MOLD	PVC, COLOR:PMS 3015
2	DVI-I PLUG	
1	CABLE	
NO.	ITEM	DESCRIPTION

TOLERANCE		 1015 GRANT STREET S.E. ATLANTA, GA 30315	TITLE: DVI-I TO DVI-I CABLE ASSY			
LINEAR	ANGLES		PART NO. DVI-10260-X			
X.±	X'.±		DWG NO. SC-10260			
.X±0.25	.X'±	APPD:	MAT'L:	DWG NO.	SC-10260	
.XX±0.15	.XX'±	CHKD:	FINISH:	UNITS: MM SCALE: NONE SHEET: 1 OF 1 REV: A		
.XXX±0.05	.XXX'±	DRWN: AXL	Q'TY:			

A	ISSUED	AXL	1/3/07'
REV	ECN NO.	NAME	DATE