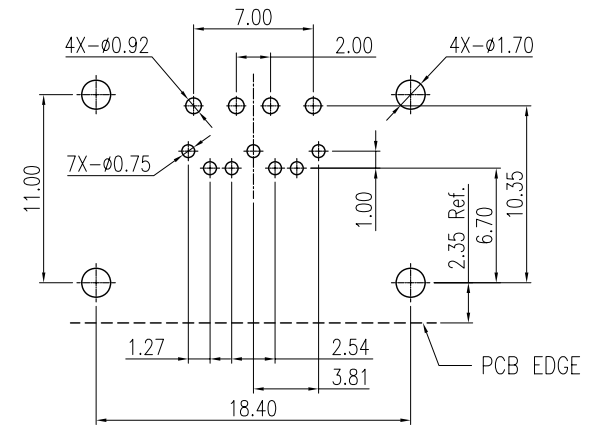
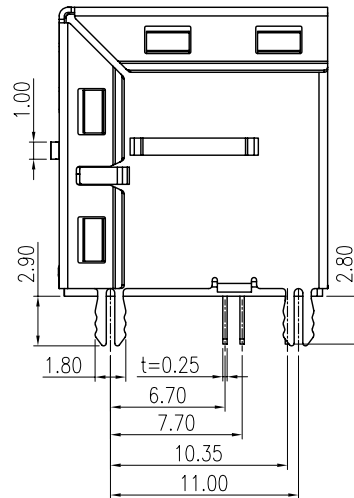
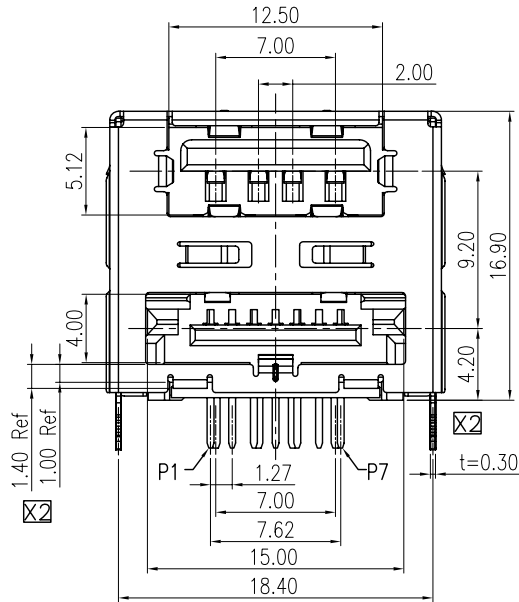




NOTES:

- *Material:
Housing: LCP With 30% GF, UL 94V-0, Black Color.
ESATA Contacts: Brass.
USB Contacts: Phosphor bronze.
Front shell: Stainless steel.
Back shell: Brass.
Middle shell: Stainless steel.

- *Finish:
Contacts: Gold plated 6u" Min on contact area,
Selective Tin plated 100u" On soldertail,
Underplated Nickel overall 50u" Min.
Back shell: Nickel overall 50u" Min.



RECOMMENDED PCB THICKNESS=1.60±0.05mm

				TOLERANCE		 7F, No. 191, Sec. 2 Chung-Yang Rd., Tu-Cheng City Tainan Hsien, Taiwan A Genesis Electro-Mechanical Company		TITLE: E-SATA+USB DIP TYPE				
				LINEAR	ANGLES			PART NO. ESUR-2311-BK83T01				
				X.±0.50	X°.±3°			DWG NO. GT110-25139				
X2	ADD DIMENSION	Terry	11/10/11'	.X±0.38	.X°±3°	APPD:	MAT'L:		UNITS	SCALE	SHEET	REV
X1	ISSUED	Terry	11/10/10'	.XX±0.25	.XX°±3°	CHKD:	FINISH:					
REV.	ECN NO.	NAME	DATE	.XXX±0.15	.XXX°±3°	DRWN:	Q'TY:	mm	NONE	10F1	X2	