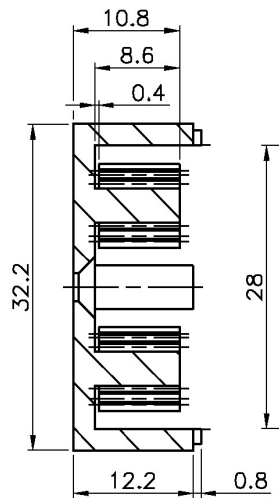
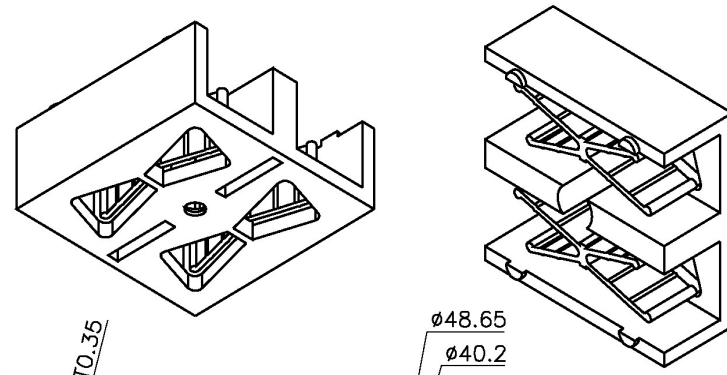
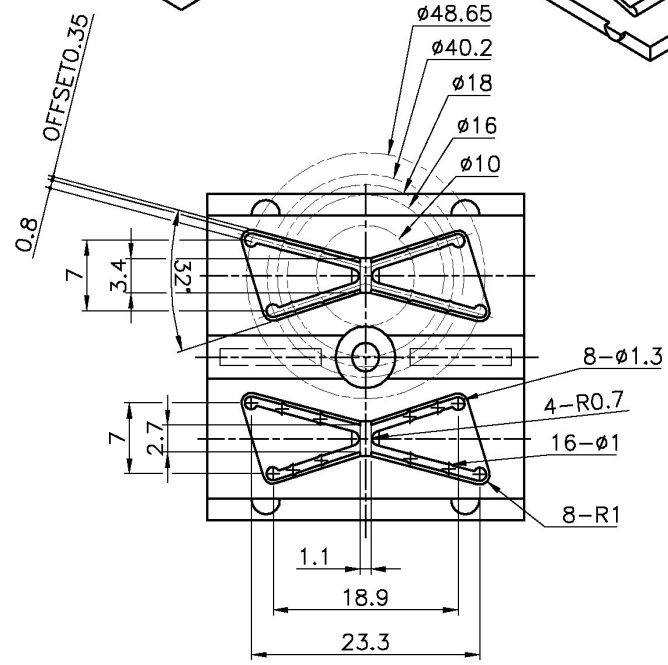
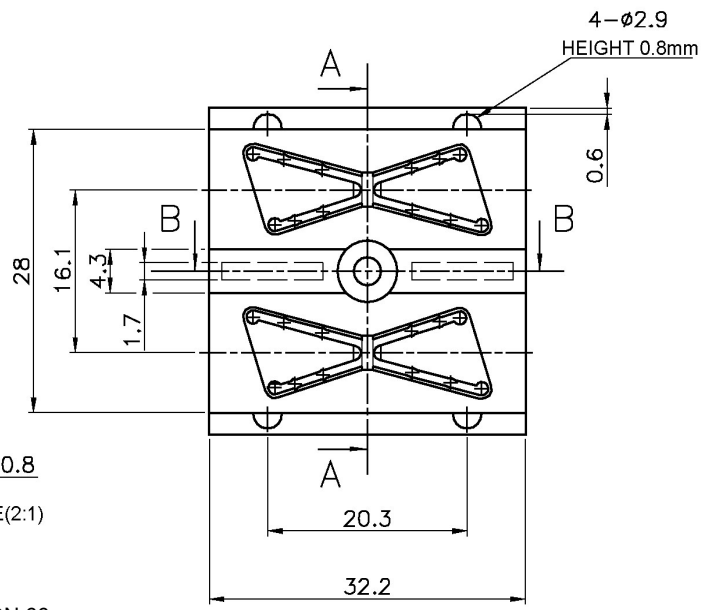


B-B SECTION SCALE(2:1)



A-A SECTION SCALE(2:1)



- NOTES:  
 1.MATERIAL:NYLON 66.  
 2.FLAME RATING:94V-0.

NO.	DESCRIPTION	QTY	MATERIAL	PLATED
圖名 NAME	F-S-HOLDER			
圖號 DWG NO	FIBER-230			
單位 UNIT	MM	一般公差	±0.1	繪圖 DRAW BY
比例 SCALE	NONE	.X		校核 CHECKED
圖號 DWG NO		.XX		審核 APPL BY
		.XXX		
		ANGLES		

A	ISSUED	4/9/03'	AXL	
REV	DESCRIPTION	DATE	NAME	ECN NO.