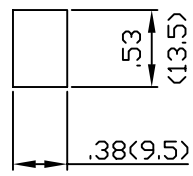


MATERIAL/FINISH:

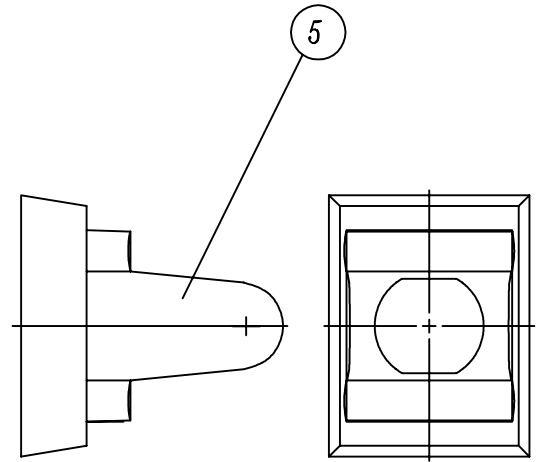
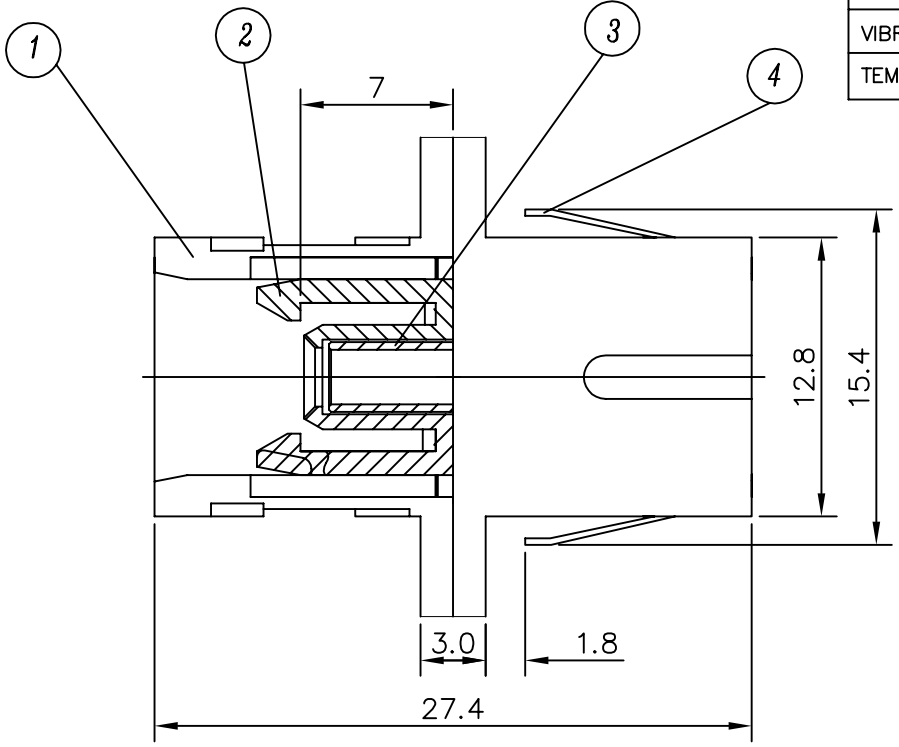
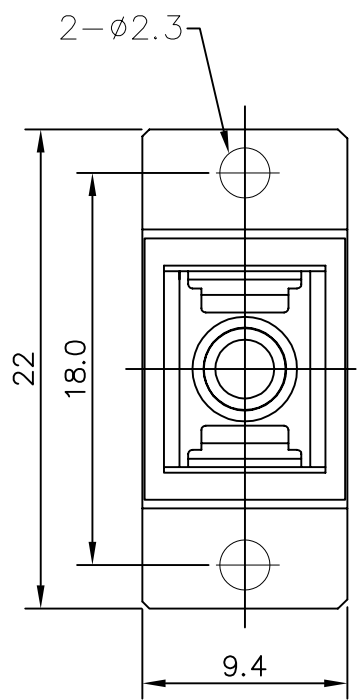
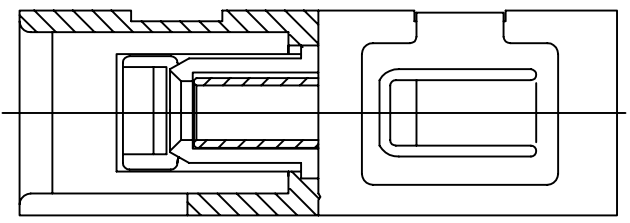
PART	MATERIAL	FINISH
CONNECTOR HOUSING	PBT PLASTIC	NICKEL PLATING
SLEEVE	ZIRCONIA	NONE
MOUNT PLATE	STAINLESS STEEL	NONE
DUST COVER	RUBBER OR PVC	NONE

SPECIFICATION:

PARAMETER	CONDITION	SINGLE MODE	MULTI MODE
INSERTION LOSS	LED $\lambda = 1300\text{nm}$	<0.5dB	<0.3dB
OPERATION TEMPERATURE	-20°C TO +70°C	<0.2dB	<0.2dB
DURABILITY	≥ 300 CYCLES	<0.2dB	<0.2dB
VIBRATION	10 TO 55 Hz 1.5mm DOUBLE AMPLITUDE	<0.2dB	<0.2dB
TEMPERATURE CYCLE	-20°C TO +80°C 10 CYCLES	<0.2dB	<0.2dB



RECOMMENDED MOUNTING HOLE



NO.	DESCRIPTION	Q'TY	MATERIAL	PLATED
VISWAR <small>a Genesis Electro-Mechanical Company</small> TECHNOLOGIES				
圖名 NAME	Fiber-251SC-APC GREEN COLOR			
圖號 DWG NO				
單位 UNIT	INCH(MM)	一般公差	繪圖 DRAW. BY	AXL
比例 SCALE	NONE	.X _____	校對 CHECKED	
SHEET	1/1	.XX _____	審核 APPVL. BY	
		.XXX _____		
		ANGLES _____		

REV	DESCRIPTION	DATE	NAME	ECN NO.
A	ISSUED	9/21/07'	AXL	