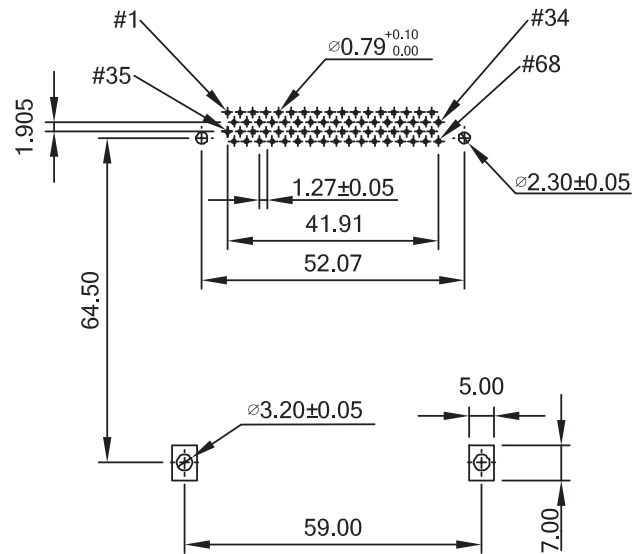


A-A SECTION



PCB LAYOUT: COMPONENT SIDE

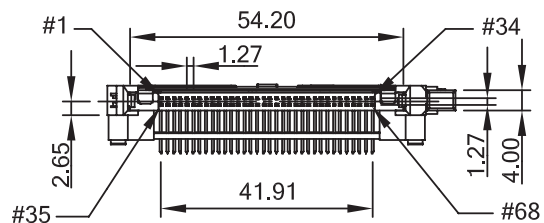


TABLE 1

PIN TYPE	DIM.L±0.20	PIN NUMBER
DETECT	3.50 mm	36,37
GENERAL	4.25 mm	THE REST
POWER	5.00 mm	1,17,34,34,51,68

NOTES:

- PLEASE REFER TO TABLE 1 FOR TERMINAL LENGTH.
- RoHs Compliant.

TOLERANCE	
LINEAR	ANGLES
X. ± 0.30	X° ± 2.00°
.X ± 0.20	.X° ± 1.00°
.XX ± 0.10	.XX° ± 0.50°
.XXX ± 0.05	.XXX° ±

GENESIS
TECHNOLOGY, INC
1015 GRANT STREET S.E.
ATLANTA, GA 30315
a Genesis Electro-Mechanical Company

TITLE: PCMCIA ASSEMBLY			
PART NO.		GTI08-30362-XX	
DWG NO.		GTI08-30362	
UNITS	SCALE	SHEET	REV
MM	NONE	1 OF 1	A

[A]	ISSUED	FOX	10/31/08
REV	ECN NO.	NAME	DATE

APPD: APPROVED
CHKD:
DRWN: FOX

MAT'L:
FINISH:
Q'TY:

