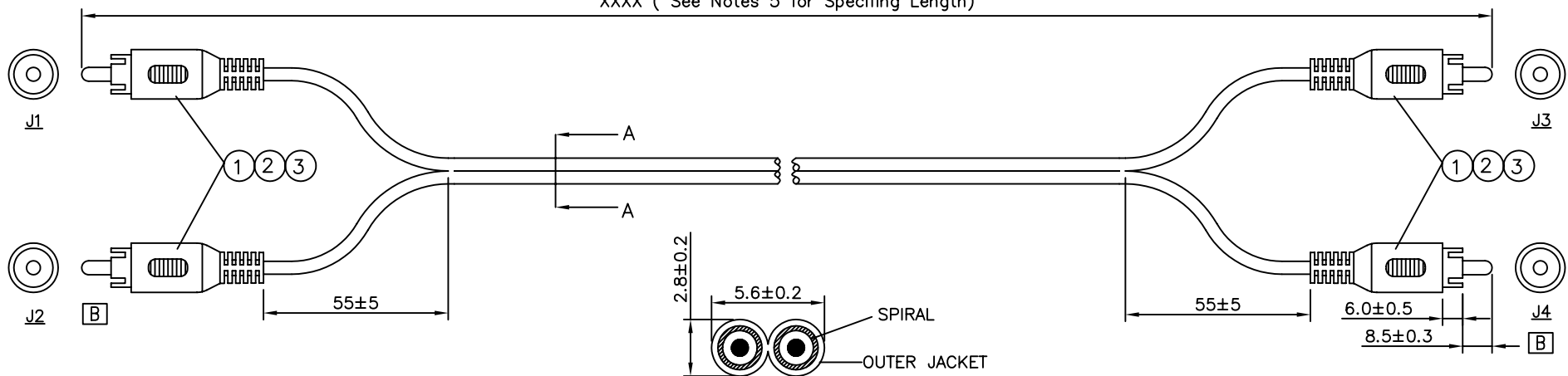


XXXX ( See Notes 5 for Specifying Length)



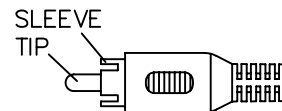
CABLE SECTION A-A

NOTES:

1. CABLE:[26AWG(7/0.16)+SPIRALx2F]TIN  
INSULATION:SR-PVC,OD=ø1.3±0.05mm,COLOR:RED AND WHITE.  
JACKET: 80°C PVC,OD=ø2.8x5.6±0.20mm,COLOR:BLACK.  
UL2562 OR APPROVED EQUIV.
2. RCA PLUG MOLDING MATERIAL: PVC  
RED FOR J1 AND J3,  
WHITE FOR J2 AND J4.

WIRE LIST

J1	TIP	RED	TIP	J3
	SLEEVE	SPIRAL	SLEEVE	
J2	TIP	WHITE	TIP	J4
	SLEEVE	COAX-GND	SLEEVE	



3. TESTING:
  - (1) 100% TEST OPEN, SHORT AND MISWIRE.
  - (2) INSULATION RESISTANCE: 5 MEGAOHMS MIN.
  - (3) CONDUCTOR RESISTANCE: 3 OHMS MAX.
  - (4) HI-POT: 200V DC.
4. RoHS COMPLIANT.
5. SPECIFY LENGTH AS SUFFIX ON PART NUMBER IN MM.  
FOR EXAMPLE:  
RCA-10441-1500 = 1500MM LONG RCA CABLE.  
L ≤ 2000MM , THE TOLLERANCE IS ±35MM  
L > 2000MM , THE TOLLERANCE IS ±50MM

3	CABLE	1PCS	CALBE UL2562 26AWG BLACK	
2	PVC	16Gx2	PVC 60P RED & WHITE	
1	RCA PLUG	4PCS	RCA PLUG Ni plated	
NO.	DESCRIPTION	Q'TY:	MATERIAL	P/N

[E]	REVISE THE DRAWING OF P/N & ADD NOTE 5	Charlie	5/30/07'	TOLERANCE		<p>3 Ind Area Guan Lan Shenzhen China 518110</p>	TITLE: RCA PLUG x2 CABLE ASSY					
[D]	REVISE NOTES 3.3 WAS 5 OHMS	AXL	9/22/06'	LINEAR	ANGLES		PART NO. RCA-10441-XXXX [E]					
[C]	ADD NOTES 3 AND 4	AXL	9/1/06'	X.±	X'.±		DWG NO. SC-10441					
[B]	REVISED PLUG	AXL	8/30/06'	.X±0.25	.X'±	APPD:	MAT'L:	UNITS	SCALE	SHEET	REV	
[A]	ISSUED	AXL	8/11/06'	.XX±0.15	.XX'±	CHKD:	FINISH:		MM	NONE	1 OF 1	E
REV	ECN NO.	NAME	DATE	.XXX±0.05	.XXX'±	DRWN:	Q'TY:					